

OPEN TENDER

Open Tender Ref. No: IITH/CE/ SURIYAP/2022/O/T069

Date: 07/11/2022

Indian Institute of Technology Hyderabad invites online bids (e-tender) in two bids systems, from OEM/Authorized distributors/Authorized dealer of the following categories for the following item

Category of Suppliers invited for this Tender

- i) Class I local Supplier – has local content minimum 50%
- ii) Class II local Supplier – has local content minimum 20%

Item Description	Qty	EMD (in Rs.)
1. 12000 KN Compression testing machine	01	1,40,000/-

The Tender Document can be downloaded from <https://mhrd.euniwizarde.com>. OR Central Public Procurement (CPP) Portal <https://eprocure.gov.in/epublish/app> OR Institute website-<https://iith.ac.in/tenders>

The bid is to be submitted online only through the E-procurement portal of <https://mhrd.euniwizarde.com> up to the last date and time of submission of tender.

Schedule of Dates

Sr.No	Particulars	Date	Time
1	Date of Online Publication/Download of Tender	07/11/2022	16:00 hrs
2	Bid Submission Start Date	07/11/2022	16:10 hrs
3	Bid Submission Close Date	29/11/2022	11:00 hrs
4	Opening of Technical Bids	29/11/2022	11:10 hrs

No manual bids will be accepted. All quotation (both Technical and Financial) should be submitted online through E-procurement portal of <https://mhrd.euniwizarde.com>

Any queries relating to the process of online bid submission or queries relating to e-tender Portal in general may be directed to the Helpdesk Support - Phone No. 011-49606060. Mail id: - helpdeskeuniwizarde@gmail.com

Index Page

Sr.No	Contents
1	INSTRUCTIONS FOR ONLINE BID SUBMISSION
2	CHAPTER-1 INVITATION FOR TENDER OFFERS
3	CHAPTER-2 INSTRUCTIONS TO BIDDERS
4	CHAPTER - 3 CONDITIONS OF CONTRACT
5	CHAPTER 4- SCHEDULE OF REQUIREMENTS, SPECIFICATIONS & ALLIED TECHNICAL DETAILS
6	CHAPTER-5 – BILL OF MATERIAL
7	ANNEXURE – A - FORMAT/QUESTIONNAIRE FOR COMPLIANCE OF TERMS AND CONDITIONS
8	ANNEXURE – B - FORMAT OF COMPLIANCE STATEMENT OF SPECIFICATIONS
9	ANNEXURE – C – BID SECURING DECLARATION
10	ANNEXURE – D - MANUFACTURER’S AUTHORIZATION FORM
11	ANNEXURE – E – PREVIOUS SUPPLY ORDER LIST FORMAT
12	ANNEXURE – F - BIDDER INFORMATION FORM
13	ANNEXURE – G - DECLARATION REGARDING CLEAN TRACK/NO LEGAL ACTION
14	ANNEXURE – H – ANNUAL MAINTENANCE CONTRACT
15	ANNEXURE – I – ACCEPTANCE OF TENDER TERMS
16	ANNEXURE – J- RELATION CERTIFICATE
17	ANNEXURE – K- DECLARATION FOR LOCAL CONTENT
18	ANNEXURE –L –CERTIFICATE FOR DPIIT REGISTRATION REFER CHAPTER 3 – CLAUSE NO 18
19	ANNEXURE –M – FORMAT OF PERFORMANCE BG
20	CHECKLIST FOR BIDDERS

INSTRUCTIONS FOR ONLINE BID SUBMISSION

The bidders are required to submit soft copies of their bid electronically on the e-Wizard Portal using valid Digital Signature Certificates. Below mentioned instructions are meant to guide the bidders for registration on the e-Wizard Portal, prepare their bids in accordance with the requirements and submit their bids online on the e-Wizard Portal. For more information, bidders may visit the Portal (<https://mhrd.euniwizarde.com/>)

1. REGISTRATION PROCESS ON ONLINE PORTAL

- a) Bidders to enroll on the e-Procurement module of the portal <https://mhrd.euniwizarde.com/> by clicking on the link “Bidder Enrolment”.
- b) The bidders to choose a unique username and assign a password for their accounts. Bidders are advised to register their valid email address and mobile numbers as part of the registration process. This would be used for any communication from the e-Wizard Portal.
- c) Bidders to register upon enrolment, with their valid Digital Signature Certificate (Class III Certificates with signing and Encryption key) issued by any Certifying Authority recognized by CCA India with their profile.
- d) Only one valid DSC should be registered by a bidder. Please note that the bidders are responsible to ensure that they do not lend their DSCs to others which may lead to misuse.
- e) Bidder then logs in to the site through the secured log-in by entering their user
- f) ID/password and the password of the DSC / e-Token.
- g) After registration send mail to Helpdesk: helpdeskeuniwizarde@gmail.com for Account activation.
- h) As per portal norms Registration Fee will be applicable.

2. TENDER DOCUMENTS SEARCH

- a) Various built-in options are available in the e-Wizard Portal like Department name, Tender category, Estimated value, Date, other keywords, etc. to search for a tender published on the Online Portal.
- b) Once the bidders have selected the tenders they are interested in, they may download the required documents/tender schedules. These tenders can be moved to the respective ‘Interested tenders’ folder.
- c) The bidder should make a note of the unique Tender No assigned to each tender, in case they want to obtain any clarification/help from the Helpdesk.

3. BID PREPARATION

- a) Bidder should take into account any corrigendum published on the tender document before submitting their bids.
- b) Please go through the tender advertisement and the tender document carefully to understand the documents required to be submitted as part of the bid.
- c) Please note the number of covers in which the bid documents have to be submitted, the number of documents - including the names and content of each of the document that needs to be submitted. Any deviations from these may lead to rejection of the bid.
- d) Bidder, in advance, should get ready the bid documents to be submitted as indicated in the tender document/schedule and generally, they can be in PDF/XLSX/PNG, etc. formats.

4. BID SUBMISSION

- a) Bidder to log into the site well in advance for bid submission so that he/she uploads the bid in time i.e. on or before the bid submission time. Bidder will be responsible for any delay due to other issues.
- b) The bidder to digitally sign and upload the required bid documents one by one as indicated in the tender document.
- c) Bidders to note that they should necessarily submit their financial bids in the prescribed format given by department and no other format is acceptable.
- d) The server time (which is displayed on the bidders' dashboard) will be considered as the standard time for referencing the deadlines for submission of the bids by the bidders, the opening of bids, etc. The bidders should follow this time during bid submission.
- e) All the documents being submitted by the bidders would be encrypted using PKI encryption techniques to ensure the secrecy of the data, which cannot be viewed by unauthorized persons until the time of bid opening.
- f) The uploaded tender documents become readable only after the tender opening by the authorized bid openers.
- g) Upon the successful and timely submission of bids, the portal will give a successful bid submission message & a bid summary will be displayed with the bid no. and the date & time of submission of the bid with all other relevant details.
- h) The off-line tender shall not be accepted and no request in this regard will be entertained whatsoever.
- i) As per portal norms Tender Processing Fee will be applicable.

5. AMENDMENT OF BID DOCUMENT

At any time prior to the deadline for submission of proposals, the department reserve the right to add/modify/delete any portion of this document by the issuance of a Corrigendum, which would be published on the website and will also be made available to the all the Bidder who has been issued the tender document. The Corrigendum shall be binding on all bidders and will form part of the bid documents.

6. ASSISTANCE TO BIDDERS

- a) Any queries relating to the tender document and the terms and conditions contained therein should be addressed to the Tender Inviting Authority for a tender or the relevant contact person indicated in the tender.
- b) Any queries relating to the process of online bid submission or queries relating to e-Wizard Portal, in general, may be directed to the 24x7 e-Wizard Helpdesk. The contact number for the helpdesk is 8448288994/86/87/89/88/81/90/92/82 011-49606060, 07903269552, 9355030608, 9055030613, 7903810198, 9355030606, 9315620706, 9355030623, 9355030628, 8800526452, 9205898228, 9122643040, 9355030604, epochelpdesk.01@gmail.com, epochelpdesk.44@gmail.com , epochelpdesk.06@gmail.com
- c) The tender inviting authority has the right to cancel this e-tender or extend the due date of receipt of the bid(s).
- d) The bid should be submitted through e-Wizard portal (<https://mhrd.euniwizarde.com/>) only.

CHAPTER-1 INVITATION FOR TENDER OFFERS

Indian Institute of Technology Hyderabad invites online bids (e-tender) in two bids systems, from OEM/Authorized distributors/Authorized dealer of the following categories for the following item

Item : Supply, Installation, Commissioning & Demonstration of 12000 KN Compression testing machine

Category of Suppliers invited for this Tender

- i) Class I local Supplier – has local content equal to more than 50%
- ii) Class II local Supplier – has local content more than 20% but less than 50%

1. The Bidders are requested to give detailed tender in two Bids i.e.

- a. Part - I: Technical Bid.
- b. Part - II: Commercial Bid.

2. Date & Time Schedule

Sr.No	Particulars	Date	Time
1	Date of Online Publication/Download of Tender	As mentioned above	
2	Bid Submission Start Date		
3	Bid Submission Close Date		
4	Opening of Technical Bids		

Supply means: “Supply, Installation, Commissioning and satisfactory demonstration of the whole system and training”. If any charges extra are payable for Installation, Commissioning and training, the same should be specified in the commercial offer.

3. Availability Of Tender:

The Tender Document can be downloaded from <https://mhrd.euniwizarde.co>. OR Central Public Procurement (CPP) Portal <https://eprocure.gov.in/epublish/app> OR Institute website- <https://iith.ac.in/tenders>

4. Envelope 1- Technical Bid:

4.1. The online envelope clearly marked as "**Technical Bid - Envelope No. 1**" shall contain the all scanned copies of originals documents in PDF Format.

- a) Compliance statement/questionnaire of tender terms and conditions as per **Annexure-‘A’**.
- b) Compliance statement of specifications as per **Annexure- ‘B’**.
- c) Bid Securing Declaration Form as per **Annexure- ‘C’**.
- d) Manufacturer authorization as per **Annexure –‘D’**.
- e) Previous Supply Order List Format as per **Annexure –‘E’**.
- f) Bidder Information Form as per **Annexure –‘F’**.

- g) Declaration Regarding Clean Track/No Legal Action as per **Annexure –‘G’**.
- h) Annual Maintenance Contract as per **Annexure- ‘H’**
- i) Acceptance Of Tender Terms as per **Annexure – ‘I’**
- j) Relation Certificate – as per **Annexure – ‘J’**
- k) Local Content Declaration as per **Annexure – ‘K’**
- l) Certificate as per DPIIT Order – as per **Annexure ‘L’**
- m) Solvency certificates (not older than twelve months) issued by Scheduled/Nationalized bank with which BIDDER holds the Bank account.
- o) Copy of GST/ PAN No. allotted by the concerned authorities. If registered with the National Small Industries Corporation, the registration number, purpose of registration and the validity period of registration and a copy of NISC/MSME registration wherever it is applicable should also be provided in Technical Bid.
- p) Technical literature/ leaflets and complete specifications of quoted model(s) along with commercial terms and conditions.
- q) Undertaking that the successful BIDDER agrees to give a security deposit amounting to 3% of the purchase order value by way of Demand Draft / Bank Guarantee in favor of The Director, IIT Hyd.
- r) In case of exemption from submission of Bid security, proof of registration with NSIC/MSME or appropriate authority.
- s) Details of supplies of similar Works/Supplies along with photocopies of previous Purchase orders and details of place of supply along with contact details
- t) Check List

4.2 Earnest Money Deposit (EMD) (IFSC CODE: CNRB0003458) - EMD of Rs. 1,40,000.00 (Rs. One Lakh Forty Thousand Only) in the form of Insurance Surety Bonds, Account Payee, Demand Draft, Fixed Deposit Receipt, Banker’s Cheque or Bank guarantee from any commercial/scheduled Banks in the name of Director, IIT Hyd valid for 180 days from the date of opening of the tender .

OR

Online Payment through the e-Procurement portal mapped to IIT Hyd Account. The Scan Copy of the Bank Guarantee /Proof of Payment made online to E-Wizard Portal should be submitted along with technical bid. The BG in original should be posted/couriered/given in person to the Stores & Purchase Section of IIT Hyd , before the Online Opening of Technical Bid. In case of non-receipt of BG in original before the due date of technical bid opening, the uploaded bid will be summarily rejected.

The original document (other than online payment) should be posted/couriered/given in person to the Stores & Purchase Section of IIT Hyd on or before opening of Technical Bid (**Kandi, Sangareddy - 502 284, Telangana, India**). In case of non-receipt of original document before the due date of opening of technical bid, the uploaded bid will be summarily rejected.

1. **Note for MSME/NSIC Bidder** : If in the view of bidder, any exemption /preference/ relaxation is applicable to them from any of the eligibility requirements, under any Rules / Guidelines/ Directives of Government of India, bidder may submit their claim for the applicable exemption /relaxation, quoting the valid Rule/Guidelines/ Directives with a copy of such notification. In this case the bidder must submit necessary and sufficient documents along with the technical bid, in support of their claim. The relevant and valid certificates in support of claim of exemption must be submitted along with the Technical Bid.

These exemptions /relaxation are meant for procurement of only goods produced and services rendered by MSEs. Traders/ distributors/ sole agent/ Works Contract are excluded from the purview of the policy.

4.3. Technical Specifications:

It must be ensured that the offers must be strictly as per our specifications. At the same time it must be kept in mind that merely copying our specifications in the quotation shall not make the parties eligible for consideration of the quotation. A quotation has to be supported with the printed technical leaflet/literature of the quoted model of the item by the quoting party/manufacturer and the specifications mentioned in the quotation must be reflected /supported by the printed technical leaflet/literature. Therefore the model quoted invariably be highlighted in the leaflet/literature enclosed with the quotation. Non-compliance of the above shall be treated as incomplete/ambiguous and the offer can be ignored without giving an opportunity for clarification/negotiation etc. to the quoting party.

4.4. Compliance Statements:

- i) Bidders must furnish a Compliance Statement of each and every required Specification of our tender in the format at ANNEXURE–‘B’. The deviations, if any, from the tendered specifications should be clearly brought out in the statement. Technical literature/leaflet showing the compliance of the specification may also be attached with the quotation.
- ii) Similarly, the Compliance Statement/questionnaire for Terms & Conditions of the tender may be furnished, as per the enclosed format at Annexure –‘A’, along with quotation (with techno-commercial bid in case of two bid tender system).
- iii) The firms are advised to submit both the compliance statements essentially along with their quotation failing which their offer may not be considered.

5. Envelope 2: “Commercial Bid” shall contain:

- i.) Cost of all the items should be mentioned clearly and individually in the Commercial Offer (Part-II) only.
- ii) The BIDDERS are requested to quote for Educational Institutional Price for Equipment and software, since IITH is an educational institution of national importance and is entitled for the concessional price.
- iii) The prices should be shown against each item for the purpose of Insurance claims / replacements if any.
- iv) List of deliverables / Bill of materials and services.
- v) Annual Maintenance Certificate as per Annexure –‘H
- vi) In case of foreign quote, the address of Principal’s / Manufacturer’s and their Banker’s details should be furnished.

Note:

- (i) No request for extension of due date will be considered under any circumstances.
- (ii) No sub-contracting is allowed with regard to installation, commissioning, training, warranty maintenance and after sales service. This is the sole responsibility of the Principals’/their authorized agents

6 . IIT Hyd may issue corrigendum to tender documents before due date of Submission of bid. The bidder is required to read the tender documents in conjunction with the corrigendum, if any, issued by IIT Hyd.

7. Bid Opening And Evaluation Process:

- a. Technical Bids will be opened as per the Date Schedule & Time.
- b. Financial Bids/Commercial Bids of the eligible bidders will be opened on a later date. The date and time for opening of Financial Bids /Commercial will be announced later.
- c. Bids would be summarily rejected, if tender is submitted other than through online portal. The Bid is to be submitted within stipulated date / time.

8. Technical Committee

- (i) On the due date the Technical bids will be opened and referred to a duly constituted technical committee which is duly constituted. The committee will go through the technical aspects of the tender and recommend short listed firms. The recommendation of the technical committee is the final and binding on all the parties.

(ii) The technical evaluation will be an assessment of the Technical Bid. IIT Hyd representatives will proceed through a detailed evaluation of the Technical Bids as defined in Chapter IV (Schedule of requirements, specifications and allied technical details), in order to determine whether they are substantially responsive to the requirements set forth in the tender. In order to reach such a determination, IIT Hyd will examine the information supplied by the BIDDERS, and shall evaluate the same as per the specifications mentioned in this tender.

(iii) The technical committee may formulate evaluation criteria in addition to the specifications and requirements indicated in the tender, in the interest of IIT Hyd and these criteria/recommendation will also form as a part of short-listing of the firms.

(iv) The Technical Committee will examine all the Technical aspects of the bids received. Further, the Technical Committee may seek additional information from the existing users at IIT Hyd or from other Institutes, these feedbacks will be considered for technical evaluation, the bidders will also be called for technical presentations if it is required so.

(v) The information received and the bids already submitted together will be examined with reference to the tendered specifications and evaluation is made by the Technical Committee.

(vi) After the technical evaluation is completed and approved, IIT Hyd shall inform to the BIDDERS whose bids have been rejected technically with the reasons for rejection.

(vii) The successful BIDDERS will be informed regarding the date and time of Commercial bid opening.

(viii) In the event of seeking any clarification from various BIDDERS by IIT Hyd, the BIDDERS are required to furnish only technical clarifications that are asked for. No amendment to commercial bid will be entertained at that stage. In case if a BIDDER fails to quote for a particular item it amounts to non-compliance and hence such bid will not be considered for further evaluation. Further during this process if any BIDDER indicates the price during the clarification such bids also will not be considered for further evaluation.

9. Commercial Bid Evaluation:

Based on results of the Technical evaluation IIT Hyd evaluates the Commercial Bid of those Bidders who qualify in the Technical evaluation.

a) IIT Hyd shall be free to correct arithmetical errors on the following basis:

(i) If there is a discrepancy between the unit price and the line item total that is obtained by multiplying the unit price by the quantity, the unit price shall prevail and the line item total shall be corrected, unless in the opinion of the Purchaser there is an obvious misplacement of the decimal point in the unit price, in which case the line item total as quoted shall govern and the unit price shall be corrected.

- (ii) If there is an error in a total corresponding to the addition or subtraction of subtotals, the subtotals shall prevail and the total shall be corrected; and
- (iii) If there is a discrepancy between words & figures, the amount in words shall prevail, unless the amount expressed in words is related to an arithmetic error, in which case the amount in figures shall prevail subject to (i) and (ii) above.
- b) Selling exchange rate/equivalent to Indian currency will be as on the date of bid opening in the case of single bidding and the rate on the date of opening of the Techno-Commerical bids i.e. Technical Bid in the case of two-part bidding.
- c) The bids shall be evaluated on the basis of final landing cost as per format given in Price Schedule in case of import / indigenous items.
- d) The comparison between the indigenous and the foreign offers shall be made on FOR destination basis and CIF/CIP basis respectively. However the CIF/CIP prices quoted by any foreign bidders shall be loaded further as under :
- Towards customs duty and other statutory levies-as per applicable rates.
 - Towards custom clearance, inland transportation etc. – 2% of the CIF/CIP value.
- e) Where the price quoted on FOB/FCA and CIF/CIP basis are the same, the Contract would be made on CIF/CIP basis only.
- f) The Vague terms like “packing, forwarding, transportation..... etc. extra” without mentioning the specific amount/percentage of these charges will not be accepted. Such offers shall be treated as incomplete and rejected.
- g) After arriving at final pricing of individual offers of all the short listed firms, the lowest firm will be awarded with Contract/Purchase Order.
1. The Director, IIT Hyd reserves the right to accept the offer in full or in parts or reject summarily or partly and also reserves the right to cancel the tender at any stage without assigning reasons

CHAPTER-2: INSTRUCTIONS TO BIDDERS

1. PREPARATION AND SUBMISSION OF OFFERS:

a) Quotation should be submitted directly by the original manufacturer/supplier or its sole authorized distributor/dealer/ Agent. In case of bid by authorized dealer/distributor/ Agent, the manufacturer authorization should be attached with the technical bid as per **Annexure-‘D’**.

One Agent can participate in a tender on behalf of one manufacturer only. No offer will be entertained if the same Agent is representing another manufacturer for the same item.

Bids from only one authorized distributor/retailer/reseller will be entertained, who has authorization from the company to quote for this tender. Multiple bids from various distributors from the same manufacturer will not be entertained & the company / principle providing multiple authorizations will be rejected from the tender.

b) The bidder shall bear all costs associated with the preparation and submission of its bid irrespective of the conduct or outcome of the bidding process.

c) The bidder should not indulge in any corrupt, fraudulent, collusive, coercive practices during the entire process of procurement and execution of contract/order.

d) Before the deadline for submission of the bid, IIT Hyd reserves the right to modify the bidding document and to extend or not to extend the date of submission. Such amendment/modification will be hosted on e-Procurement portal (<https://mhrd.euniwizarde.co>.) and on IIT Hyd website.

f) Conditional tenders will be summarily rejected.

2. Delivery Period / Timeliness:

The deliveries & installation must be completed within four (04) from the date of issue of purchase order. The time is the essence of the contract. It is mandatory for the BIDDERS who respond to this bid to meet these expectations, as are tightly linked to IIT Hyd plans of completing the project within the time frame.

3. Security Deposit:

a. Within fifteen (15) days of the award of contract, the vendor shall furnish a Security Deposit amounting to **3%** of the purchase order value in the form of Insurance Surety Bonds, Account Payee, Demand Draft, Fixed Deposit Receipt, Banker’s Cheque or Performance Bank guarantee from any commercial Banks or payment online of a scheduled bank in the name of Director, IIT Hyd favouring the Director, IIT Hyd.

b. The IIT Hyd will forfeit the 3% security deposit if vendor fails to execute the order as per the Purchase Order.

c. The Security Deposit should be valid for a period of warranty + 60 days, as the same will extend the same as Performance Bank Guarantee. Hence while preparing the BG, the time period required for delivery and installation and warranty + 60 days needs to be accounted for to cover the BG validity period.

d) This Security Deposit will be refunded to the vendor only on satisfactory completion of all contractual obligations as per this Tender and Purchase Order issued against this Tender.

e. **Bank Guarantee wherever mentioned in this document may be read as “Bank Guarantee from any Scheduled Bank” only.**

4. Amalgamation/Acquisition etc.:

In the event the Manufacturer/Supplier proposes for amalgamation, acquisition or sale of its business to any firm during the contract period, the BUYER/Successor of the Principal Company are liable for execution of the contract and also fulfilment of contractual obligations i.e. supply, installation, commissioning, warranty, maintenance/replacement of spares accessories etc. while submitting your bid, you may confirm this condition.

5. Bid Validity Period:

a. The prices must be valid at least for a period of **90 days** from the date of opening of the Tender. No changes in prices will be acceptable in any condition after opening of tender till the validity of the offer or execution of the order whichever is later

b. IIT Hyd may ask for the BIDDER’s consent to extend the period of validity. Such request and the response shall be made in writing only. The BIDDER is free not to accept such request. A BIDDER agreeing to the request for extension will not be permitted to modify his bid.

c. Bid evaluation will be based on the bid prices without taking into consideration the above corrections

6. AWARD OF CONTRACT:

a. IIT Hyd, shall award the contract to the technically qualified eligible BIDDER whose bid has been determined as the lowest evaluated commercial bid.

b. If more than one BIDDER happens to quote the same lowest price, IIT Hyd reserves the right to award the contract to more than one BIDDER or any BIDDER.

7. IIT Hyd reserves the right to vary quantities at the time of Award:

- a. IIT Hyd reserves the right at the time of Contract award to increase or decrease the quantity of goods and services originally specified in the tender document without any change in unit price or other terms and conditions. Further, at the discretion of IIT Hyd, the quantities in the contract may be enhanced by 25% within the delivery period.
- b. Firms which have already supplied similar equipment to IIT Hyd and have not completed required installation/commissioning/after sales service/warranty replacements etc. such firms offer will not be considered for further evaluation and no enquiries thereafter will be entertained.

8. Cargo Consolidation and Customs Clearance:

IIT Hyd has appointed its own Freight Forwarder and Custom House Agent for all the imports. Please note that all the consignments have to be routed through their associates only. The address and contact details will be provided at the time of placing the Purchase Order.

9. Fraud and Corruption:

IIT Hyd requires that bidders, suppliers, contractors and consultants, if any, observe the highest standard of ethics during the procurement and execution of such contracts. In pursuit of this policy,

(a) The terms set forth below are defined as follows:

- (i) **“Corrupt practice”** means the offering, giving, receiving, or soliciting, directly or in directly, of anything of value to influence the action of a public official in the procurement process or in contract execution;
- (ii) **“Fraudulent practice”** means a misrepresentation or omission of facts in order to influence a procurement process or the execution of a contract;
- (iii) **“Collusive practice”** means a scheme or arrangement between two or more bidders, designed to establish bid prices at artificial, non -competitive levels; and
- (iv) **Coercive practice”** means harming or threatening to harm, directly or indirectly, persons or their property to influence their participation in the procurement process or affect the execution of a contract

(b) IIT Hyd will reject a proposal for award if it determines that Bidder recommended for award has, directly or through an agent, engaged in corrupt, fraudulent collusive or coercive practices in competing for the Contract in question

10. Interpretation of the clauses in the Tender Document / Contract Document

In case of any ambiguity / dispute in the interpretation of any of the clauses in this Tender Document, Director, IIT Hyd’s interpretation of the clauses shall be final and binding on all parties.

CHAPTER - 3 : CONDITIONS OF CONTRACT

1. Prices:

Bid prices should be filled in the appropriate format as mentioned in Price Schedule. All the bidders should quote prices for each and every item/accessories separately

A. Bidders Quoting in Indian Rupees (INR)

(i) The price of the goods must be as per the BoQ.

(ii) The price mentioned in BoQ must be inclusive of transportation, Insurance, loading and unloading and any other local service required for delivering the goods for the desired destination as decided by IIT Hyd. Loading and unloading is strictly in vendor scope. IIT Hyd will not provide any manpower support towards the same.

(iii) The installation, commissioning and training charges (If any) must be mentioned as per the BoQ (if requested separately in BoQ) else the price quoted will be taken as inclusive of installation, commissioning and training.

(iv) The institute will not be responsible in case of the bidders failing to include any of the above mentioned prices in their bid. The price mentioned in the BoQ will be final and the bidder has to comply with that, if awarded the tender.

(v) Unloading of the goods at IIT Hyd is strictly in the scope of the bidder, no manpower will be provided by IIT Hyd.

(vi) As per Ministry of Finance Notification 45/2017 & 47/2017, concessional GST at 5% is applicable to IITH.

B. Bidders Quoting in Foreign Currency

(i) The mode of shipment must be clearly mention in the BoQ viz Ex-works, FCA, FOB, CIP, DDP etc.

(ii) Courier mode of shipments will not be acceptable. The Shipments must be dispatched under Cargo Mode only.

(iii) The mode of shipment once mentioned cannot be changes without the consent of IIT Hyd .

(iv) Any financial implication leading to change of mode of shipment or any deviation from the bid submitted shall be borne by the bidder.

(v) The charges towards insurance and transportation of the goods and agency commission must be clearly mentioned.

(vi) The installation, commissioning and training charges (If any) must be mentioned as per the BoQ (if requested separately in BoQ) else the price quoted will be taken as inclusive of installation, commissioning and training.

(vii) The institute will not be responsible in case of the bidders failing to include any of the above mentioned prices in their bid. The price mentioned in the BoQ will be final and the bidder has to comply with that, if awarded the tender.

C. IIT Hyd is exempted from payment of Customs Duty under notification No.51/96 dated 23.07.1996. No other charges than those mentioned clearly in the quotation will be paid.

2. Bank Charges:

All Bank charges inside India, including opening of LC, to IIT Hyd Account and all charges outside India to Beneficiary's Account only. In case the BIDDER seeks confirmation of LC such confirmation charges are to the Beneficiary's account.

3. Agency Commission & Services:

a) The Indian Agency commission if any will be payable in Indian currency only after the receipt of consignment in good condition at our Stores and satisfactory installation and commissioning of the ordered equipment.

b) In case of foreign quote, the Principal supplier should clearly indicate the address of the Indian Agent and percentage (%) of Agency Commission and taxes if any payable to him. Such amounts will be paid in Indian Currency to the Indian Agent.

c) Details of services rendered by the Agency/Indian Agent as well as after-sales services offered are to be clearly specified in the bid.

4. **Currency of Payment** - The contract price will be paid in the currency/currencies in which the price is stated in the contract.

5. **Performance Bank Guarantee:** The 3% Security Deposit which is mentioned above (Chapter 2 Point No 3) will be extended as Performance Bank Guarantee for a period of warranty period.

6. **Pre-installation:** The BIDDER has to state in detail the Electrical Power/UPS requirements, floor Space, head room, foundation needed and also to state whether Air-conditioned environment is needed to house the system and to run the tests. i.e. pre-installation facilities required for installation may please be intimated in the technical bid. Subsequently, before the consignment lands in IIT Hyd the bidder shall confirm that the pre-installation requirements are sufficient for installation of the equipment. The BIDDER should continuously monitor the pre-installation requirements and see that everything is ready before the consignment is taken to the site for installation.

7. Installation:

- a) BIDDER shall be responsible for installation / demonstration wherever applicable and for after sales service during the warranty and thereafter.
- b) Installation demonstration to be arranged by the supplier free of cost and the same is to be done within 15 days of the arrival of the equipment at site, unless otherwise instructed by the Institute
- c) After successful installation what will be the minimum down time of equipment/instrument in case of breakdown. If the identified firm or person fails to put the system into working condition what is the further alternative course of action suggested to adhere to minimum down time should be covered in the Technical Bid.

8. Inspection:

- a) The inspection of the system will be done by our technical expert /Scientist in the presence of firm's representative.
- b) In case of receipt of the material in short supply or damaged condition the supplier will have to arrange the supplies/ replacement of goods free of cost pending the settlement of the insurance case wherever applicable on FOR at the IIT Hyd.

9. **Training:** Wherever needed, Scientist/Technical persons of the Institute should be trained by the supplier at the project site free of cost. In case the person is to be trained at supplier's site abroad or in India it should be mentioned in the quotation clearly. The supplier should bear all the expenses for such training including 'to & fro' fares and lodging & boarding charges.

10. Warranty / Support:

- a) The items covered by the schedule of requirement shall carry minimum **Three years of comprehensive** warranty from the date of acceptance of the equipment by IIT Hyd. Warranty shall include free maintenance of the whole equipment supplied including free replacement of parts. The defects, if any, shall be attended to on immediate basis but in no case any defect should prolong for more than 24 hours. The comprehensive warranty includes onsite warranty with parts.
- b) The defects, if any, during the guarantee/warranty period are to be rectified free of charge by arranging free replacement wherever necessary. This includes cost, insurance, freight, custom duty, local taxes if any should be borne by the beneficiary or his agent. No cost will be borne by IIT Hyd.
- c) The warranty on the associated software should cover providing of upgraded version/s, if any, released during the warranty period free of cost.
- d) The Bidder shall assure the supply of spare parts after warranty is over for maintenance of the equipment supplied if and when required for a period of 10 years from the date of supply of equipment on payment on approved price list basis.
- e) The equipment must be supported by a Service Centre in India manned by the technical support engineers.. Also it should be possible to contact the Principal's vendor support Centre on a toll free number/web/mail. The support through this Centre must be available during all working days and hours.

f) The manufacturer/OEM is should facilitate the bidder/Agent on regular basis with technology / product updates & extend support for the warranty as well.

g) The vendor will have to arrange for all the testing equipment & tools required for installation, testing & maintenance etc.

h) The principal vendor must have a local logistics support by maintaining a spares in the country of deployment of the equipment, with the Indian Agent. This is to ensure immediate delivery of spares parts from Principal Vendor of equipment to its channel partner/system integrator.

i) Details of the agency who shall maintain during warranty and undertake Annual Maintenance Contract/Comprehensive Service Maintenance Contract beyond warranty shall be given in the offer. In case of foreign quote, the Indian Agent who shall maintain during warranty and AMC beyond warranty shall be given in the Technical Offer

j) **Commencement of Warranty Period:** The warranty period of an item shall commence from the date of successful installation, commissioning and demonstration at IIT Hyd. The warranty period and validity of Performance Guarantee shall be extended for the period of delay in satisfactory installation and delay in warranty services.

2. **Reasonability of Prices:** The prices quoted must be the prices applicable for a premiere Educational and Research Institute of national importance. The bidder must give details of identical or similar equipment, if any, supplied to other IITs/ IISERs/ CSIR lab/ CFTI's during last three years along with the final price paid and Performance certificate from them

12. **Annual Maintenance Contract:** The bidder must mention in the quotation, the rate/amount of annual maintenance charges, if we opt for maintenance contract after expiry of the warranty period. This is mandatory to mention, wherever applicable. No sub-contracting will be allowed for installation or maintaining system/ equipment / instrument during or after warranty period.

13. **Indemnity:** The vendor shall indemnify, protect and save IIT Hyd against all claims, losses, costs, damages, expenses, action suits and other proceeding, resulting from infringement of any law pertaining to patent, trademarks, copyrights etc. or such other statutory infringements in respect of all the equipment's supplied by the bidder/OEM.

14. **Freight & Insurance:**

a) **Imports:** In case of imports the freight & insurance will be paid by IIT Hyd , as the consignments are shipped through the IIT Hyd nominated freight forwarder (applicable only cases of FCA/FOB shipments).

b) **Indigenous :** The equipment'/items to be supplied will be insured by the vendor against all risks of loss or damage from the date of shipment till such time it is delivered at IIT Hyd site in case of Rupee transaction.

15. Payment: - No advance payments are allowed.

A) INDIGENIOUS

For Indigenous items, 90% payment shall be made against delivery, installation, commissioning and balance 10% on demonstration of the whole system to the satisfaction of the Institute/ User. If the PBG, submitted as per Chapter 2 Clause No 3, requires extension to cover the Warranty Period the same will be done before release of the balance 10% Payment.

B) IMPORT

i) **Letter of Credit** will be established for 100% order value excluding the Agency Commission due to the Indian Agents. The Letter of Credit will be established only on receipt of the Security Deposit as per Chapter 2 Clause No. 3.

90% payment shall be made against the presentation of original Shipping documents to our bankers or as per the LC terms and conditions. Balance 10% will be released after completion of satisfactory installation, commissioning, demonstration of the whole system to the satisfaction of the Institute/User Scientist Technologist/Indentor/Professor. If the PBG, submitted as per Chapter 2 Clause No 3, requires extension to cover the Warranty Period the same will be done before release of the balance 10% Payment.

OR

ii) **By Wire Transfer** - 90% payment shall be made against delivery, installation, commissioning and balance 10% on demonstration of the whole system to the satisfaction of the Institute/User Scientist /Technologist/Indentor/Professor. If the PBG, submitted as per Chapter 2 Clause No 3, requires extension to cover the Warranty Period the same will be done before release of the balance 10% Payment

iii) The payment of local currency portion shall be payable in Indian Rupees, within 30 days after the receipt of the equipment in good condition and after satisfactory installation and commissioning and demonstration.

iv) The Agency Commission to the Indian Agent will be paid in INR only after successful installation, commissioning and satisfactory demonstration and acceptance of the items ordered for by the end user.

16. Liquidity Damage for delayed Services

i) As time is the essence of the contract, Delivery period mentioned in the Purchase Order should be strictly adhered to, failing which, IIT Hyd will forfeit SD and also LD clause will be applicable /enforced.

ii) If the supplier fails to Supply, Install and Commission the system as per specifications mentioned in the order within the due date, the Supplier is liable to pay liquidated damages of 0.5% of order value per every week of delay subject to a maximum of 10% beyond the due date. Such money will be deducted from any amount due or which may become due to the supplier.

iii) IIT Hyd reserves the right to cancel the order in case the delay is more than 10 weeks. Penalties, if any, will be deducted from the Security Deposit.

17. Public Procurement (Preference to Make in India), Order 2017:

a) IIT Hyd shall compare all substantially responsive bids to determine the lowest valued bid. This Institute is following and abide with the Public Procurement (Preference to Make in India), Order 2017, DIPP, MoCI Order No. P-45021/2/2017-B.E.II dated 15th June 2017 and its subsequent amendments. Accordingly preference will be given to the Make in India products while evaluating the bids, however, it is the sole responsibility of the bidder(s) to specify the product quoted by them is of Make in India product along with respective documentary evidence as stipulated in the aforesaid order in the technical bid itself.

b) As per the above order and its subsequent amendments “Local Content” means the amount of value added in India which shall be value of the item procured (excluding net domestic indirect taxes) minus the value of the imported content in the item (including all the custom duties) as a proportion of the total value, in percent. Accordingly the suppliers will be classified in following categories.

- i) Class I local Supplier – has local content minimum 50%
- ii) Class II local Supplier – has local content minimum 20%

c) **Verification of Local Content** : The Class I Local Supplier /Class II Local Supplier at the time of bidding shall be required to indicate the percentage of local content and provide **self-certification as per Annexure K** that the items offered meet the local content requirement. The details of the location(s) at which the local value addition is made also needs to be specified.

In case of procurement in excess of Rs.10 crores , the suppliers shall be required to provide the certificate from the Statutory auditor or cost auditor of the company giving the percentage of local content.

The bidders can be debarred for a period up to two years as , per Rule 151(iii) of GFR 2017, in case of false declaration.

Complaint Redressal Mechanism:

In case any complaint received by the procuring agency or the concerned Ministry/Department against the claim of a bidder regarding local content/domestic value addition in a product, the same shall be referred to competent authority at IITH or the relevant Ministry .

The bidder against whom the complaint is received shall be required to furnish the necessary documentation in support of the domestic value addition claimed in the product to authority. If no

information is furnished by the bidder, such laboratories may take further necessary action, to establish the bonafides of the claim

A complaint fee of Rs. 2 lakh or 1% of the value of the domestically manufactured products being procured (subject to a maximum of Rs.5 lakh), whichever is higher, to be paid by Demand Draft to be deposited with Procuring Institute. In case, the complaint is found to be incorrect, the complaint fee shall be forfeited. In case, the complaint is upheld and found to be substantially correct, deposited fee of the complainant would be refunded without any interest.

False declarations will be in breach of the Code of Integrity under Rule 175 (1)(i)(h) of the General Financial Rules for which a bidder or its successors can be debarred for up to two years as per Rule 151 (iii) of the General Financial Rules along with such other actions as may be permissible under law.

18. Requirement of registration: Vide Ministry of Finance OM No. 6/18/2019-PPD dated 23rd July 2020.

i. Any bidder from a country sharing a land border with India will be eligible to bid in this tender only if the bidder is registered with the Department for Promotion of Industry and Internal Trade (DPIIT).

ii. "Bidder" (including the term 'tenderer', 'consultant' or 'service provider' in certain contexts) means any person or firm or company, including any member of a consortium or joint venture (that is an association of several persons, or firms or companies), every artificial juridical person not falling in any of the descriptions of bidders stated hereinbefore, including any agency branch or office controlled by such person, participating in a procurement process.

iii. "Bidder from a country which shares a land border with India" for the purpose of this Order means:

- a) An entity incorporated, established or registered in such a country; or
- b) A subsidiary of an entity incorporated, established or registered in such a country; or
- c) An entity substantially controlled through entities incorporated, established or registered in such a country; or
- d) An entity whose beneficial owner is situated in such a country; or
- e) An Indian (or other) agent of such an entity; or
- f) A natural person who is a citizen of such a country; or
- g) A consortium or joint venture where any member of the consortium or joint venture falls under any of the above

For details about registration procedures please visit the above mentioned OM. Mandatory documentary evidence regarding the bidder's registration with DPIIT is to be submitted along with the tender, failing which the tender shall be liable for rejection. Bidders are also requested to submit the Model Certificates **as per Annexure 'L'** for this tender as mentioned in the Ministry of Finance OM No. 6/18/2019-PPD dated 23rd July 2020.

19. Force Majeure : IIT Hyd may consider relaxing the penalty and delivery requirements, as specified in this document, if and to the extent that the delay, in performance or other failure to perform its obligations under the Contract, is the result of a Force Majeure.

Force Majeure is defined as an event of effect that cannot reasonably be anticipated such as acts of God (like earthquakes, floods, storms etc.) acts of states, the direct and indirect consequences of wars (declared or undeclared) hostilities, national emergencies, civil commotion and strikes at successful Bidder's premises.

20. Dispute Settlement:

IIT Hyd and the Supplier shall make every effort to resolve amicably by direct informal negotiation any disagreement or dispute arising between them under or in connection with the Contract.

If, after twenty-one (21) days, the parties have failed to resolve their dispute or difference by such mutual consultation, then either the IIT Hyd or the Supplier may give notice to the other party of its intention to commence arbitration, as hereinafter provided, as to the matter in dispute, and no arbitration in respect of this matter may be commenced unless such notice is given. Any dispute or difference in respect of which a notice of intention to commence arbitration has been given in accordance with this Clause shall be finally settled by arbitration.

Arbitration may be commenced prior to or after delivery of the Goods under the Contract. The dispute settlement mechanism/arbitration proceedings shall be concluded as under:

(a) In case of Dispute or difference arising between the IIT Hyd and a domestic supplier relating to any matter arising out of or connected with this agreement, such disputes or difference shall be settled in accordance with the Indian Arbitration & Conciliation Act, 1996, the rules there under and any statutory modifications or re-enactments thereof shall apply to the arbitration proceedings. The dispute shall be referred to the Director IIT Hyd, if he is unable/ unwilling to act, to the sole arbitration of some other person appointed by his willing to act as such Arbitrator. The award of the arbitrator so appointed shall be final, conclusive and binding on all parties to this order.

(b) In the case of a dispute between the Purchase and a Foreign supplier, the dispute shall be settled by arbitration in accordance with provision of sub-clause (a) above. But if this is not acceptable to the supplier then the dispute shall be settled in accordance with provisions of UNCITRAL (United Nations Commission on International Trade Law) Arbitration Rules. The venue of the arbitration shall be the place from where the purchase order or contract is issued.

21. **Jurisdiction:** The disputes, legal matters, court matters, if any, shall be subject to Hyderabad Jurisdiction only.

Assistant Registrar (S&P)

CHAPTER 4

SCHEDULE OF REQUIREMENTS, SPECIFICATIONS & ALLIED TECHNICAL DETAILS

TECHNICAL SPECIFICATIONS OF 1200 TON COMPRESSION TESTING MACHINE

Sr. No.	Description	Specification
A	1200 TON (min.) HYDRAULIC PRESS MACHINE	01 No
1	Bed Size	Minimum working area 1000 x 1000 mm
2	Day Light Area	2000 mm
3	RAM Stroke	400 mm (min.)
4	Four Post System	Minimum of 250 mm solid bars of EN 24 grade or better
5	Dimension	1600 x 1600 x 4000 mm or better
6	Weight	A minimum of 20 Ton (Approximately)
B	Hydraulic Power Pack	01 No.
1	Tank	1500 Ltrs
2	Motor ABB Make Flange Mounted III Phase 415V	20 HP
3	Polyhydron Make Piston Pump	48 LPM 315 Bar
4	Yuken Make Vane Pump	170 LPM 175 Bar
5	Bell Housing	HIC Make Compatible
6	Extension Bracket	HIC Make Compatible
7	Polyhydron / Yuken Make PCM (Pressure Control Module)	20-16 to Control Both Pumps
8	Return Line Filter	Hydrolin / Hydac Make
9	Manifold Block	Machined blocks
10	Directional Control Valve	Yuken Make
11	Counter Balancing Valve	Yuken / Polyhydron Make
12	Pilot Operated Check Valve	Polyhydron Make
13	Pressure Switch	Polyhydron Make
14	Limit Switch	Jai Balaji Make

15	Suction Filter	Hydroline Make
16	Gear Coupling	M-38 + M-38 Compatible
17	Air Breather	Hydac Make
18	Oil Level Indicator	Hydac Make
19	Fittings	Gem Make
20	Piping	Gem Make

C	Hydraulic Main Cylinder (Minimum Specs)	01 No.
1	Cylinder's OD	1000 mm
2	Cylinder's ID	850 mm
3	Cylinder's Rod	850 mm
4	Cylinder's Stroke	400 mm
D	Electrical Control Panel: To Operate 20 HP Motor and Solenoid Operated Directional Control Valves. Fully Loaded with all requirements accordingly	01 No.
E	Accessories inbuilt in Power Pack: Double Bell-Housing, Double Gear Coupling, Double Oil Level Indicator, Air Breather, Pressure Gauge, Suction Filter etc of reputed make.	01 Set
F	Digital Automation: Mitsubishi Make PLC with HMI, Yuken Make Directional Control Valve with Analog Card for Digitally Controlled Displacement and Load Should be able to take load and stroke data as a current / voltage output and import into an external DAQ unit (HBM, NI or similar) Sampling rate / data acquisition rate (A minimum of 500 Hz) A software interface should be provided to operate equipment using a laptop or desktop computer. Alphanumeric display with backlite,	

	<p>playing - Actual Load / Peak load, Rate of loading Calculated load in N/mm² (as soon as sample fails) l be provided.</p>	
G	<p>Other Features</p> <ul style="list-style-type: none"> Machine should have groove and different king position (at every 200 mm or so at the top 1 m) accommodate various daylight height Counterbalance valve shall be there at head cylinder for safety. Emergency stop shall be provided at operator el for safety. Proportional valve or a better one for ssure control. Rope switch at machine front side for safety. 	

Typical Desirable Arrangements for the Large Scale CTM

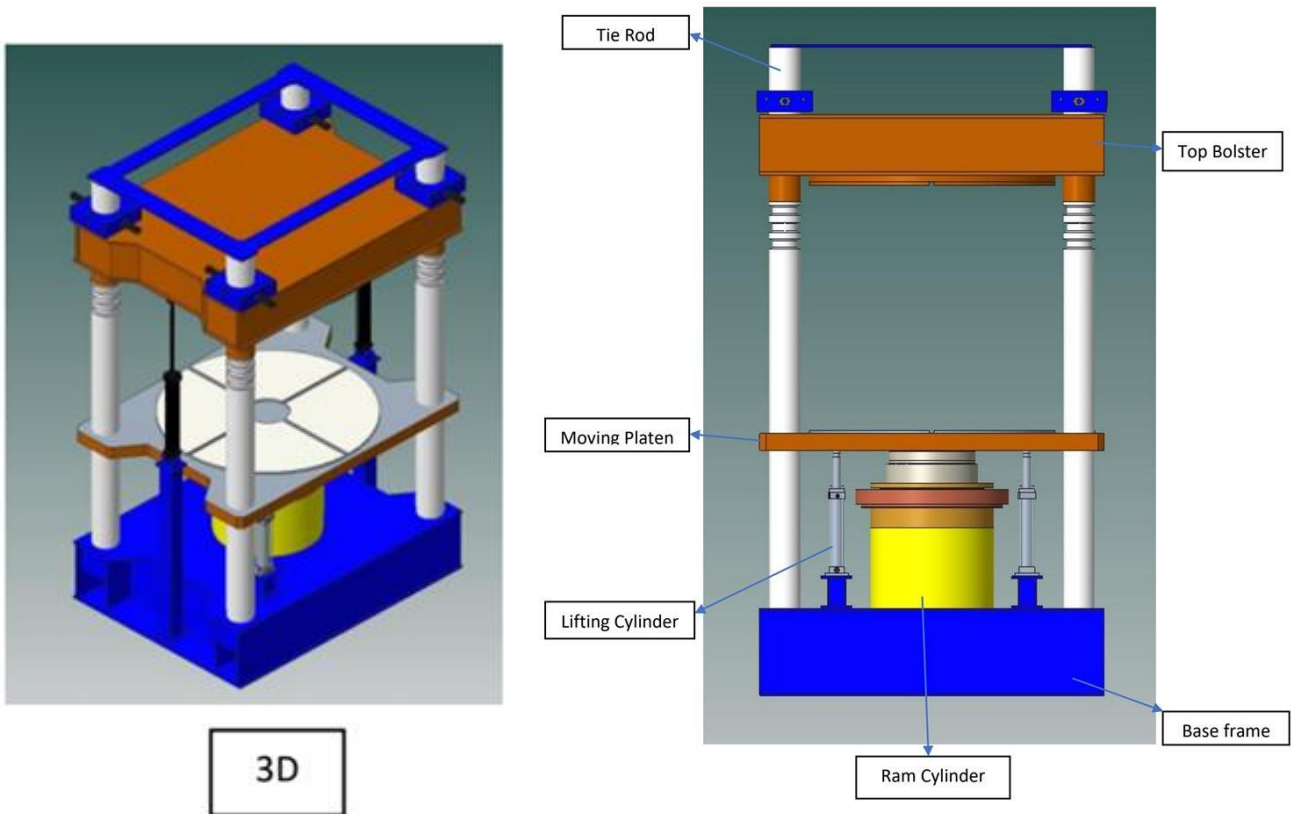


Figure 1: Typical Large Scale CTM with Jack, Base Frame and Top Bolster Arrangements

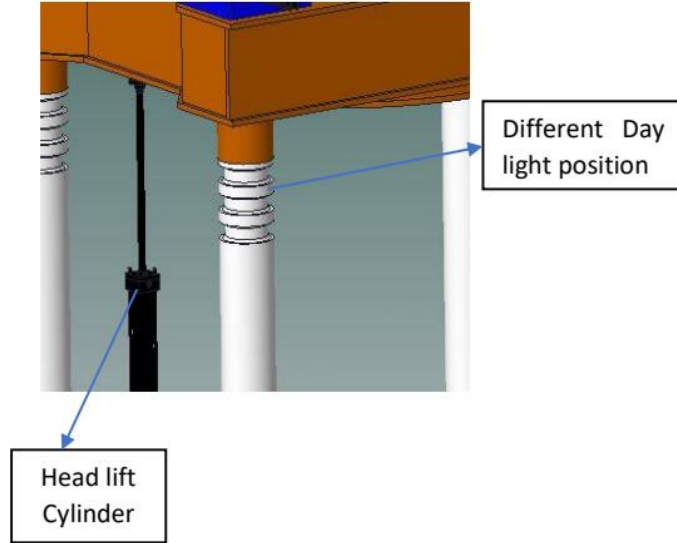


Figure 2: Locking Arrangements at the top to fix different Daylight Positions

Eligibility Criteria :

1. Bidder should have supplied such sophisticated testing equipment to reputed technical institutes and industries. Previous purchase order copies shall be attached along with technical bid.

For any technical query related to enquiry you may to contact

Dr. S. Suriya Prakash, Department of Civil Engineering, Email : suriyap@ce.iith.ac.in

For Commercial query

Mr. Suresh Nair - Assistant Registrar Email : ar.purchase@iith.ac.in

Mr. Syed Ali Sabeer- Deputy Registrar, Email : dr.snp@iith.ac.in

With CC: office.stores@iith.ac.in

ANNEXURE - C

BILL OF MATERIALS

(Bidder should provide the following details on Letter head)

Quotation No :

Date:

Name of the Bidder _____

GeM bid No. _____

Sr.No	Item Description	Country of Origin	Make & Model	HSN Code	GST %	Qty
1						
2						
3						
n						

Other Terms & Conditions

1	Payment terms	:
2	Delivery Period from the date of Issue of PO	:
3	Warranty	:
4	Any other additional terms	:

ANNEXURE – A

FORMAT/QUESTIONNAIRE FOR COMPLIANCE OF TERMS AND CONDITIONS

NOTE:

1. Quotation will not be considered without submission of this form.
2. If a particular question is not at all applicable please write NA in compliance part in Col. No. 4 below.
3. Kindly see the relevant terms & conditions of the tender document in each question before replying to the questions mentioned in Col. 2 below.

S. No	Terms & condition of Tender document	Whether acceptable (say ‘Yes’ or ‘No’ (preferably use different colour ink for ‘No’)	Deviation from tender terms, if any, with reasons for noncompliance or alternative condition quoted for
1	a.) Whether quotation is direct from Principal supplier/manufacturer or their own office in India		
	b) Whether quotation is being submitted by Indian Agent/authorized distributor/ dealer		
2	Whether techno-commercial Bid contains Bid Securing Declaration , technical literature/leaflets, detailed specifications & commercial terms & conditions etc. as applicable		
3	a) If the prices are on Ex-Works /FOB, FCA/ or CIF, CIP basis for foreign currency bids		
	b) Whether specific amounts or percentage of expenses like packing, forwarding, handling, freight, insurance, documentation etc. have been mentioned in quotation separately in clear terms.		
4	a) Whether prevailing rates of GST & other govt. levies (for indigenous supplies) have been given in quotation		
5	The validity period of the quotation/bid as per our requirements is specified		
6	Whether copies of previous supply orders of the same item from other customers have been attached with the quotation		



7	Whether rates/amount of AMC after the warranty period is over has been mentioned		
8	Whether the Make/Brand, Model number and name of manufacturer has been mentioned in the quotation and Printed technical literature/ leaflets of quoted items have been submitted		
9	Whether compliance statement of specifications has been attached with the Technical Bid.		
10	Whether the delivery period for supply of the items has been mentioned		
11	Do you agree to the submission of Security Deposit /Performance Bank Guarantee as per the terms of the Tender		
12	Do you agree about the date of commencement of warranty period & its extension is necessary.		
13	Who will install/commission and demonstrate the equipment at IIT Hyd. i.e Indian Agent or OEM		
14	Has Certificate about the availability of Spare parts submitted with the Technical Bid.		
15	b) Whether quotation has been signed and designation & name of signatory mentioned.		

Signature of the Bidder

Name

Stamp

ANNEXURE – B

FORMAT OF COMPLIANCE STATEMENT OF SPECIFICATIONS

1	2	3	4	5	6
S. N.	Name of specifications/part / Accessories of tender enquiry As per Chapter 4 of the Tender Document.	Specifications of quoted Model/ Item	Compliance Whether “YES” Or “NO”	Deviation, if any, to be indicated in unambiguous terms	Whether the compliance / deviation is clearly mentioned in technical leaflet/ literature
1					
2					
3					

Note : Bidders are required to fill this table as per the specifications given in the Chapter 4 of this Tender Document. The points needs to be reproduced in the table at Column No 2 and then fill in the relevant details for each specifications.

Signature of the Bidder

Name

Stamp

ANNEXURE – C

Bid Securing Declaration Form

Date: _____

Tender No. _____

To (insert complete name and address of the purchaser)

I/We. The undersigned, declare that:

I/We understand that, according to your conditions, bids must be supported with EMD.

I/We accept that I/We may be disqualified from bidding for any contract with you for a period of two year from the date of notification if I am /We are in a breach of any obligation under the bid conditions, because I/We

a) have withdrawn/modified/amended, impairs or derogates from the tender, my/our Bid during the period of bid validity specified in the form of Bid; or

b) having been notified of the acceptance of our Bid by the purchaser during the period of bid validity (i) fail or reuse to execute the contract, if required, or (ii) fail or refuse to furnish the Performance Security, in accordance with the Instructions to Bidders.

I/We understand this Bid Securing Declaration shall cease to be valid if I am/we are not the successful Bidder, upon the earlier of (i) the receipt of your notification of the name of the successful Bidder; or (ii) thirty days after the expiration of the validity of my/our Bid.

Signed: _____ (insert signature of person whose name and capacity are shown)
in the capacity of _____ (insert legal capacity of person signing the Bid Securing Declaration)

Name: _____ (insert complete name of person signing he Bid Securing Declaration)

Duly authorized to sign the bid for an on behalf of (insert complete name of Bidder)

Dated on _____ day of _____ (insert date of signing)

Corporate Seal (where appropriate)

(Note: In case of a Joint Venture, the Bid Securing Declaration must be in the name of all partners to the Joint Venture that submits the bid)

ANNEXURE – D
MANUFACTURER’S AUTHORIZATION & WARRANTY SUPPORT DECLARATION

(ON OEMs Letter head)

Date:

Tender No / GeM bid no:

To
The Director,
Indian Institute of Technology Hyderabad,
Kandi, Hyderabad – 502 284

We, _____ [name of Manufacturer], who are official manufacturers of [Insert type of goods manufactured] having factories at [insert full address of Manufacturer’s factories], do hereby authorize [insert complete name of Bidder] to submit a bid the purpose of which is to provide the following goods, manufactured by us [insert name and or brief description of the goods], and to subsequently negotiate and sign the contract.

We hereby extend our full guarantee, warranty, availability of spare parts and AMC support in accordance with the Terms and Conditions of Contract with respect to the Goods offered by the above firm.

Authorized representative of the Manufacturer

Authorized representative Bidder

Signature:

Signature:

Name:

Name:

Address:

Address:

Mobile No:

Mobile No:

Email ID:

Email ID:

ANNEXURE – E

PREVIOUS SUPPLY ORDER LIST FORMAT

Order placed by <i>{Full address of Purchaser}</i>	Order No. and Date	Description and quantity of ordered equipment	Value of order	Date of completion of delivery as per contract	Date of actual completion of delivery	Remarks indicating reasons for late delivery, if any and justification for price difference of their supply order & those quoted to us.	Has the equipment been installed satisfactorily? <i>(Attach a certificate from the Purchaser/ Consigner)</i>	Contact Person along with Telephone no., Fax no. and e-mail address.

Signature and Seal of the Manufacturer/ bidder

Place:

Date:

BIDDER INFORMATION FORM

Company Name : _____

Registration Number : _____

Registered Address : _____

Name of Partners /Director: _____

City : _____

Postal Code : _____

Company's Establishment Year : _____

Company's Nature of Business : _____

Company's Legal Status (tick on appropriate option)

- 1) Limited Company
- 2) Undertaking
- 3) Joint Venture
- 4) Partnership
- 5) Others (In case of Others please specify)

Company Category

- 1) Micro Unit as per MSME
- 2) Small Unit as per MSME
- 3) Medium Unit as per MSME
- 4) Ancillary Unit
- 5) SSI
- 6) Others (In case of Others please specify)

CONTACT DETAILS

Contact Name : _____

Email Id : _____

Designation : _____

Phone No : (_____) _____

Mobile No : _____

BANK DETAILS

Name of Beneficiary : _____

A/c. No. CC/CD/SB/OD: _____

Name of Bank : _____

IFSC NO. (Bank) : _____

Branch Address and Branch Code: _____

Other Details

Vendor's PAN No. _____

Vendor's GST _____

ANNEXURE – G

DECLARATION REGARDING CLEAN TRACK/NO LEGAL ACTION

(to be provided on letter head of the firm)

I hereby certify that the above firm namely _____ is neither blacklisted by any Central/State Government/Public Undertaking/Institute nor any criminal case registered / pending against the firm or its owner / partners anywhere in India.

I also certify that the above information is true and correct in any every respect and in any case at a later date it is found that any details provided above are incorrect, any contract given to the above firm may be summarily terminated and the firm blacklisted.

Date:

Authorized Signatory

Name:

Place:

Designation:

Contact No.:

ANNEXURE – H

ANNUAL MAINTENANCE CONTRACT

We hereby certify that the Annual Maintenance Contract for the equipment, after expiry of warranty period will be charged as follows :

For Comprehensive AMC

- 1) 1st year ____ % of the equipment value
- 2) 2nd year ____% of the equipment value
- 3) 3rd year ____% of the equipment value.

For Non - Comprehensive AMC

- 1) 1st year ____ % of the equipment value
- 2) 2nd year ____% of the equipment value
- 3) 3rd year ____% of the equipment value.

We also certify that the spares for the equipment will be available for the equipment for ____ years.

Date:

Authorized Signatory

Name:

Place:

Designation:

Contact No.:

ANNEXURE – I

ACCEPTANCE OF TENDER TERMS
(To be given on Company Letter Head)

Date: DD/MM/YYYY

To,

The Director
Indian Institute of Technology Hyderabad
Kandi – 502 285.Telangana, India

Sub: Acceptance of Terms & Conditions of Tender.

Tender Reference No: _____

Name of Tender / Work: -

Dear Sir,

1. I/ We have downloaded / obtained the tender document(s) for the above mentioned 'Tender' from the web site(s) namely _____ as per your advertisement, given in the above mentioned website(s).

2. I / We hereby certify that I / we have read the entire terms and conditions of the tender documents (including all documents like annexure(s), schedule(s), etc .), which form part of the contract agreement and I / we shall abide hereby by the terms / conditions / clauses contained therein.

3. The corrigendum(s) issued from time to time by your department/ organisation too have also been taken into consideration, while submitting this acceptance letter.

4. I / We hereby unconditionally accept the tender conditions of above mentioned tender document(s) / corrigendum(s) in its totality / entirety.

5. I / We certify that all information furnished by the our Firm is true & correct and in the event that the information is found to be incorrect/untrue or found violated, then your department/ organisation shall without giving any notice or reason therefore or summarily reject the bid or terminate the contract, without prejudice to any other rights or remedy including the forfeiture of the full said earnest money deposit absolutely.

Yours Faithfully,

(Signature of the Bidder, with Official Seal)

ANNEXURE – J

NO RELATIONSHIP CERTIFICATE

(On Company Letterhead)

1. I/We hereby certify that I/We* am/are* related/not related(*) to any officer of IIT Hyderabad. (If Related provide the details of the employee)
2. I/We* am/are* aware that, if the facts subsequently proved to be false, my/our* contract will be rescinded with forfeiture of E.M.D and security deposit and I/We* shall be liable to make good the loss or damage resulting from such cancellation.
3. I/We also note that, non-submission of this certificate will render my / our tender liable for rejection.

Date:

Authorized Signatory

Name:

Place:

Designation:

Contact No.:

ANNEXURE – K

Declaration for Local Content from OEMs Letter Head

**(To be given on Company Letter Head - For tender value below Rs.10 Crores)
(To be given by Statutory Auditor/Cost Auditor/Cost Accountant/CA for tender value above Rs.10 Crores)**

Date: _____

To,
The Director,
Indian Institute of Technology Hyderabad,
Kandi, Sangareddy 502284

Sub: Declaration of Local content

Tender Reference No: _____

Name of Tender / Work: - _____

1. Country of Origin of Goods being offered: _____

2. We hereby declare that items offered has ___% local content **(Please provide exact %)**.

3. Details of location at which local value addition will be made / made: (Complete address to be mentioned) _____

“Local Content” means the amount of value added in India which shall, be the total value of the item being offered minus the value of the imported content in the item (including all customs duties) as a proportion of the total value, in percent.

*“*False declaration will be in breach of Code of Integrity under Rule 175(1)(i)(h) of the General Financial Rules for which a bidder or its successors can be debarred for up to two years as per Rule 151 (iii) of the General Financial Rules along with such other actions as may be permissible under law.”*

**Yours Faithfully,
(Signature of the Bidder/OEM, with Official Seal)**

ANNEXURE –L

CERTIFICATE
ON COMPANY LETTERHEAD

CERTIFICATE BY BIDDER- DPIIT REGISTRATION

“ I have read the clause regarding restrictions on procurement from a bidder of a country which shares a land border with India; I certify that this bidder is not from such a country or, / if from such a county, has been registered with the Competent Authority (copy of the Registration Certificate enclosed) . I hereby certify that his bidder fulfils all requirements in this regard and is eligible to be considered.

Signature with Date and Stamp
Of the Bidder

ANNEXURE -M

FORMAT FOR PERFORMANCE BANK GUARANTEE

To
Indian Institute of Technology Hyderabad.
Kandi, Sangareddy 502284

Dear Sirs,

In consideration of the Indian Institute of Technology Hyderabad (hereinafter referred to as the "Buyer" which expression shall unless excluded by or repugnant to the context or meaning thereof, include its successors administrators and assigns) having issued to (Name of the seller) with its Registered / Head Office at (hereinafter referred to as the "Seller" which expression shall unless excluded by or repugnant to the context or meaning thereof, include its successors, administrators, executors and assigns) an order bearing Purchase Order No. dated and the same having been unequivocally accepted by the seller resulting into a Contract between the buyer and the seller for supply of, more fully described in the said Purchase Order and the buyer in terms of one of the provisions of the said Purchase Order and whereas the Seller has undertaken to produce a Bank Guarantee amounting to Rs. _____, which is 3% of the Contract value in aggregate for Performance and Warranty to the Buyers.

We, the _____ bank hereby expressly, irrevocably and unreservedly undertake the guarantee as Principal obligators on behalf of the SELLER that, in the event that the BUYER declares to us that the amount claimed is due by way of loss or damage caused to or would be caused or suffered by the BUYER by reason of breach/failure to perform by the said SELLER of any of the terms and conditions in the contract related to the Performance and Warranty clauses, we will pay you, on demand and without demur, all and any sum upto (3% of the contract value) Rs. _____ only at any one instance under this Guarantee. Your written demand shall be conclusive evidence to us that such repayment is due under the terms of the said contract. We shall not be entitled to ask you to establish your claim or claims under this guarantee but will pay the same forthwith without any protest or demur. We undertake to effect the payment upon receipt of such written demand.

We shall not be discharged or released from the undertaking and guarantee by any arrangements, variations made between you and the SELLER, indulgence to the SELLER by you, or by any alterations in the obligations of the SELLER or by any forbearance whether as to payment, time performance or otherwise.

We further agree that any such demand made by the BUYER on the Bank shall be conclusive, binding, absolute and unequivocal notwithstanding any difference or dispute or controversy that may exist or arise between you and the Seller or any other person.

In no case shall the amount of this guarantee be increased.

This Performance-cum-Warranty guarantee shall remain valid for a period until 60 days beyond the warranty period i.e. upto _____

Subject to the terms of this Bank Guarantee , the issuing bank hereby irrevocably authorizes the beneficiary to draw the amount upto Rs. _____ (10% of the total contract value) for breach/failure to perform by the Seller of any of the terms and conditions of the contract related to performance and warranty clause. Notwithstanding anything mentioned herein, the total drawings under the Guarantee by the buyer shall not exceed 10% of the total contract value. Partial drawing and multiple drawings under this Bank Guarantee are allowed within the cumulative amount and subject to each such drawing not exceeding 10% of the contract value.

This guarantee shall be continuing guarantee and shall not be discharged by any change in the constitution of the Bank or in the constitution of M/s. _____. We undertake not to revoke this guarantee during the currency except with previous consent of BUYER in writing.

Notwithstanding anything contained herein above:

- a) Our liability under this Guarantee shall not exceed Rs. _____ (Rupees _____ only (in words)
- b) This Bank Guarantee shall remain valid until 2 months from the date of expiry of warranty period of the contract i.e. upto _____ (mention the date) which is 2 months after expiry of the warranty period and the BG shall cease to be valid after _____ irrespective whether the Original Bank Guarantee is returned to us nor not.
- c) We are liable to pay guaranteed amount or any part thereof under this Bank Guarantee only and only if you serve upon us a written demand or a claim in writing on or before _____ (Expiry Date)

Dated the _____ day of _____ (month and year)

Place

Signed and delivered by _____ (name of the bank)
Through its authorized signatory
(Signature with Seal)

Checklist for BIDDERS

BIDDERS to indicate whether the following are enclosed/mentioned by striking out the non-relevant option

Envelope-1(Technical-Bid)				
(Following documents to be provided as single PDF file)				
Sl. No.	Documents	Content	File Types	Document Attached
1		Format/Questionnaire for compliance as per Annexure-‘A’	.PDF	(Yes /No)
2		Format of compliance statement of specification as per Annexure-‘B’	.PDF	(Yes /No)
3		Bid Securing Declaration as per Annexure-‘C’(as applicable)	.PDF	(Yes /No)
4		Manufacturer’s Authorization Form as per Annexure-‘D’	.PDF	(Yes /No)
5		Previous supply order format as per Annexure-‘E’	.PDF	(Yes /No)
6		Bidder Information form as per Annexure-‘F’	.PDF	(Yes /No)
7		Declaration Regarding Clean Track/No Legal Action as per Annexure-‘G’	.PDF	(Yes /No)
8		AMC as per Annexure-‘H’	.PDF	(Yes /No)
9		Acceptance Of Tender Terms as per Annexure- ‘I’	.PDF	(Yes /No)
10		Relation Certificate as per Annexure- ‘J’	.PDF	(Yes /No)
11		Local Content Declaration as per Annexure ‘K’		
12		Certificate For DPIIT Registration as per Annexure – ‘L’	.PDF	(Yes /No)
13		Bill of Material as Per Chapter 5	. PDF	(Yes /No)
14		List of deliverables as per Chapter- 4, along with the Technical Brochures and Commercial Terms and Conditions	.PDF	(Yes /No)
15		All other documents as per Chapter 1 Point No - 4.1.	.PDF	(Yes /No)
Envelope-2(Financial-Bid)				
Sl. No.	Documents	Content	File Types	Document Attached
1	Financial Bid	Price bid should be submitted in excel as per BoQ	.xls	(Yes /No)